

**Normocapnic High Frequency Oscillatory Hyperventilation  
Increases Oxygenation in Pigs**

**Karel Roubík<sup>1</sup>, Jan Páchl<sup>2</sup>, Vladimír Zábrodský<sup>1</sup>**

<sup>1</sup>Czech Technical University in Prague, Faculty of Biomedical Engineering,

nám. Sítná 3105, Kladno, CZ-272 01, Czech Republic

<sup>2</sup>Charles University, 3<sup>rd</sup> School of Medicine, Dept. of Anaesthesiology and Critical Care Medicine,

Šrobárova 50, Praha 10, CZ-100 00, Czech Republic

**Corresponding author:**

doc. Ing. Karel Roubík, Ph.D.

Czech Technical University in Prague

Faculty of Biomedical Engineering

nám. Sítná 3105

CZ - 272 01 Kladno

Czech Republic

Tel.: +420 603 479 901, fax: +420 312 608 204

**e-mail:** [roubik@fbmi.cvut.cz](mailto:roubik@fbmi.cvut.cz)

*Running title:* **Normocapnic high frequency oscillatory hyperventilation**

# Normocapnic High Frequency Oscillatory Hyperventilation Increases Oxygenation in Pigs

## Abstract:

High frequency oscillatory ventilation (HFOV), contrary to conventional ventilation, enables a safe increase in tidal volume ( $V_T$ ) without endangering alveoli by volutrauma or barotrauma. The aim of the study is to introduce the concept of normocapnic high frequency oscillatory hyperventilation and to assess its effect upon oxygen gain under experimental conditions. Laboratory pigs ( $n = 9$ ) were investigated under total intravenous anesthesia in three phases. *Phase 1*: Initial volume controlled HFOV period. *Phase 2*: Hyperventilation— $V_T$  was increased by  $(46 \pm 12) \%$  when compared to normocapnic  $V_T$  during phase 1. All other ventilatory parameters were unchanged. A significant increase in  $PaO_2$  (by  $3.75 \pm 0.52$  kPa,  $p < 0.001$ ) and decrease in  $PaCO_2$  (by  $-2.05 \pm 0.31$  kPa,  $p < 0.001$ ) were obtained. *Phase 3*: Normocapnia during hyperventilation was achieved by an iterative increase in the  $CO_2$  fraction in the inspiratory gas by a  $CO_2$  admixture. All ventilatory parameters were unchanged. A significant increase in  $PaO_2$  (by  $3.79 \pm 0.73$  kPa,  $p < 0.001$ ), similar to that which was observed in phase 2, was preserved in phase 3 whereas normocapnia was fully re-established. The concept of high frequency normocapnic hyperventilation offers a lung protective strategy that significantly improves oxygenation whilst preserving normocapnia.

**Keywords:** hyperventilation, normocapnia, oxygenation, high frequency ventilation

**Introduction:**

Tidal volume ( $V_T$ ) and rate of ventilation ( $f$ ) are considered to be the main parameters that determine arterial  $\text{CO}_2$  partial pressure ( $\text{PaCO}_2$ ) throughout spontaneous breathing and also during controlled mechanical ventilation (CMV). Mean airway pressure (MAP) is one of the main parameters that determine arterial oxygen partial pressure ( $\text{PaO}_2$ ). However, it should be noted that the tidal volume plays a specific role in oxygenation control, as it is one of the parameters that determine alveolar ventilation ( $\dot{V}_A$ ). Insufficient alveolar ventilation leads to a drop in the oxygen partial pressure in the alveolar space ( $\text{P}_A\text{O}_2$ ); this occurs regardless of the mean airway pressure. On the other hand, hyperventilation induced by an increase in  $V_T$  can cause an increase in  $\text{P}_A\text{O}_2$  and consequently this leads to an increase in the oxygen pressure gradient across the alveolo-capillary membrane. It is this gradient which controls the diffusion of oxygen. The increase in alveolar oxygen concentration induced by the initiation of hyperventilation during the initial normocapnia leads to hypocapnia, i.e. to a decrease in  $\text{PaCO}_2$ . This effect can be prevented by admixing  $\text{CO}_2$  into the inspiratory gas. This procedure defines “normocapnic hyperventilation”, which could be beneficial during high frequency ventilation strategies. Low tidal volumes ( $V_T$ ) of 1 to 3 ml/kg b.w. (Pachl *et al.* 2006, McLuckie 2004, Zimová-Herknerová *et al.* 2006) that are applied during HFOV allow a safe increase of  $V_T$  without increasing the risk of ventilator induced lung injury (VILI). The increased  $V_T$  remains significantly lower than the currently used values of  $V_T$  which occur during conventional mechanical ventilation. Hypocapnia during hyperventilation may be prevented by controlled carbon dioxide supplementation into the inspiratory gas.

The aim of this study is to specify the effect of normocapnic hyperventilation during HFOV upon oxygen gain under experimental conditions.

**Methods:**

The study was approved by the Committee for Protection of Animals Against Abuse of the Institute of Clinical and Experimental Medicine, Prague. It was conducted at the accredited experimental laboratory of the Institute of Clinical and Experimental Medicine, Prague, adhering to the valid regulations of the Czech Republic and European Guidelines on Laboratory Animal Care.

Nine healthy laboratory pigs (weight 30–42 kg) were included into the study. General anesthesia was maintained by combination of a continuous drip of remifentanyl (Ultiva, GlaxoSmithKline) 1 mg/kg/min, propofol (Diprivan, AstraZeneca) 6 mg/kg/hour and midazolam (Dormicum, Roche) 1 mg/kg/hour. Neuromuscular blockade was maintained by vecuronium (Norcuron, Organon) 0.8 mg/kg/min.

Venous access was assured through 2 peripheral veins on both ears. The carotid artery was cannulated in the supine position to enable systemic blood pressure measurement and arterial blood sampling. A Swan-Ganz thermodilution catheter was introduced into the pulmonary artery through the internal jugular vein. Haemodynamic parameters: mean arterial pressure (AP<sub>mean</sub>), systolic pressure (AP<sub>syst</sub>), central venous pressure (CVP), pulmonary capillary wedged pressure (PCWP), cardiac output (CO), pulmonary vascular resistance (PVR) and systemic vascular resistance (SVR) were recorded by a BSS 9800 K monitor (Nihon Kohden). Tracheal tube No. 8.0 (Portex) was introduced via tracheostomy. The tracheal tube contained an integrated sampling channel in its wall which was used to obtain the HFOV pressure parameters. Arterial blood gases were sampled and analyzed (ABL 4, Radiometer Copenhagen, Denmark) 15 minutes after any change in ventilatory regimen. A constant body temperature of 37 °C was maintained by a heated mattress and an external radiator.

A custom-made high frequency ventilator was used throughout the experiment. Scheme of the ventilator is depicted in Figure 1. The ventilator consists of a nozzle permanently connected to an adjustable source of high pressure inspiratory gas. The nozzle opens into an intake channel that is periodically occluded and released at its opposite side by a flexible membrane. The membrane is supported by a metal spring and is controlled by pressure changes generated by a pneumatic pulse generator. During inspiratory phase (Figure 1A), the pneumatic pulse generator delivers a positive pressure pulse into the chamber behind the membrane. As a result, the membrane seals the intake channel of the nozzle. In this case, the inspiratory gas from the nozzle flows through the flow and pressure sensors and ETC port into a ventilated animal. Gas in the high pressure gas inlet in front of the nozzle has a relatively high and constant value of pressure. As the nozzle has a very small aperture representing a high pneumatic resistance, the combination of the high pressure gas source with the pneumatic resistance constitutes a source of a constant gas flow. Therefore, this ventilator could be considered a volume-controlled high frequency ventilator, as the tidal volume is an accurately adjustable parameter. The generated flow rate and duration of inspiration directly determine the tidal volume delivered into the respiratory system of an animal.

Active expiration is assured by a jet-like system equipped with a PEEP (positive end-expiratory pressure) control valve. During expiration, the pneumatic pulse generator provides zero pressure and the membrane is deflected from its straight position by the metal spring (Figure 1B). As a consequence, the nozzle intake channel is opened directly into the exhaust port. High-velocity gas from the nozzle generates a negative pressure in the intake channel. As the ventilated animal is connected to the side of this channel, the negative pressure assures the active expiration. Gas from the nozzle, enriched with the gas expired from the animal, flows out of the ventilator through the exhaust port equipped with a pneumatic restrictor

representing an adjustable flow resistance to the gas flow. The pressure developed on the restrictor is used for adjustment of PEEP. The ventilator is controlled by a microelectronic system which comprises all the standard security elements and alarms. The ventilatory frequency can be adjusted from 2 to 25 Hz and relative inspiratory time  $T_i/T$  from 20 to 80%.

The overall experimental setup is presented in Fig. 2. Animals were ventilated either with pure air or with air enriched with CO<sub>2</sub>. A regulated source of CO<sub>2</sub> flow for the defined admixture of CO<sub>2</sub> into the inspiratory air was constructed for hypocapnia compensation. The CO<sub>2</sub> generator consists of an adjustable high-pressure source of CO<sub>2</sub> from a cylinder and a high-resistance pneumatic resistor. A pressure-flow curve was used for the calculation of the CO<sub>2</sub> input pressure that was necessary to generate the required CO<sub>2</sub> flow rate. The actual flow rate was checked by a low-flow rotameter calibrated for carbon dioxide. In order to produce the inspiratory gas mixture, the delivered CO<sub>2</sub> was mixed with medicinal quality air, flowing from a pressure reduction valve and an air rotameter. Before entering the ventilator through the high pressure gas inlet, a pneumatic restrictor with a very high airflow resistance was connected to the inspiratory gas line providing a source of the inspiratory gas mixture at ambient pressure which is suitable for CO<sub>2</sub> concentration measurement (Anagas CD 98, Environmental Instruments, U.K.).

A special monitoring system for measurement of tidal volume, pressure values and mechanical parameters of the respiratory system during HFOV (Pachl *et al.* 2006) was connected between the ventilator and the tracheal tube of the ventilated animal. This system was used for independent confirmation of the adjusted HFO ventilatory parameters that were controlled by the HFO ventilator.

The protocol of the animal study was divided into three phases:

*Phase 1—normocapnic ventilation.* HFOV with ventilatory frequency  $f = 5$  Hz (300  $\text{min}^{-1}$ ), relative inspiratory time  $T_i/T = 50\%$ , mean airway pressure MAP = 0.8 kPa and initial

tidal volume  $V_T = 2$  ml/kg was started. Normocapnia with the target value of  $\text{PaCO}_2 = 5.33$  kPa (40 Torr) was achieved by iterative changes of  $V_T$ . Values of  $\text{PaO}_2$ ,  $\text{PaCO}_2$  and tidal volume  $V_T$  during phase 1 were considered as the reference values for the next phases of the experiment and for the evaluation of results.

*Phase 2—hyperventilation.* Hyperventilation was achieved by  $V_T$  increase of 45 % when compared to the normocapnic  $V_T$  from phase 1. Mean airway pressure (MAP) as well as other ventilatory parameters were kept constant at the same values as in phase 1. Arterial blood sampling and analysis of  $\text{PaO}_2$  and  $\text{PaCO}_2$  were conducted 15 minutes after the increase of  $V_T$ .

*Phase 3—normocapnic hyperventilation.* Normocapnia with preserved increase in  $V_T$  from phase 2 was achieved by regulation of the  $\text{CO}_2$  flow rate, i.e. by iterative settings of the  $\text{CO}_2$  fraction in the inspiratory gas, in order to restore the  $\text{PaCO}_2$  values from phase 1. Mean airway pressure and other ventilatory parameters were kept constant to the same level as in phases 1 and 2. Arterial blood sampling and analysis of  $\text{PaO}_2$  and  $\text{PaCO}_2$  were conducted 15 minutes after each change in  $\text{CO}_2$  flow rate.

Results of the experiment are presented as mean value  $\pm$  standard deviation. The assessment of the statistical significance of the average change in values was conducted by the two-tail Student's t-test, always against the normocapnic values achieved in the first phase of the experiment. The symbol p stands for the statistical significance level. Values of  $p < 0.01$  were considered to be statistically significant.

## Results:

All nine animals included in the study were subjected to all three phases of the experiment in accordance to the presented study design.

In the first phase of the study, normocapnia ( $\text{PaCO}_2 = 5.48 \pm 0.35$  kPa,  $\text{PaO}_2 = 11.3 \pm 1.6$  kPa) was achieved by iterative changes of  $V_T$  to the final normocapnic value of  $V_T = 1.9 \pm 0.3$  ml/kg. Values of  $\text{PaO}_2$ ,  $\text{PaCO}_2$  and  $V_T$  during phase 1 were considered as reference values for the remaining phases (2 and 3) of the experiment and used for the subsequent analysis in the measured changes of the arterial blood gases. The monitored haemodynamic parameters were: mean arterial pressure  $\text{AP}_{\text{mean}} = 86 \pm 18$  mm Hg, systolic arterial pressure  $\text{AP}_{\text{syst}} = 109 \pm 19$  mm Hg, central venous pressure  $\text{CVP} = 7.4 \pm 2.6$  mm Hg, pulmonary capillary wedged pressure  $\text{PCWP} = 7.4 \pm 1.8$  mm Hg, cardiac output  $\text{CO} = 2.3 \pm 0.68$  l/min, pulmonary vascular resistance  $\text{PVR} = 408 \pm 154$  dyne·s/cm<sup>5</sup> and systemic vascular resistance  $\text{SVR} = 2890 \pm 240$  dyne·s/cm<sup>5</sup>.

In the second phase, characterized by uncompensated (hypocapnic) hyperventilation, a statistically significant ( $p < 0.001$ ) increase in  $\text{PaO}_2$  (of  $3.75 \pm 0.52$  kPa) was obtained. This was accompanied with a significant ( $p < 0.001$ ) decrease in  $\text{PaCO}_2$  (of  $-2.05 \pm 0.31$  kPa) (Figure 3). The tidal volume during HFO hyperventilation was increased by  $(46 \pm 12)$  %.

During the third phase, the hyperventilation with the increased tidal volume was preserved as in phase 2 but the induced hypocapnia was compensated ( $\text{PaCO}_2 = 5.76 \pm 0.69$  kPa) by adding carbon dioxide into the inspiratory gas. Despite the hypocapnia compensation, the oxygen gain in phase 3 ( $\text{PaO}_2$  increased by  $3.79 \pm 0.73$  Torr,  $p < 0.001$ ) was similar to the oxygen gain in phase 2 (Figure 4). The flow rate of carbon dioxide, as a part of the inspiratory gas, was within the range 0.9 to 1.4 l/min; this flow rate assured the full compensation of hypocapnia.



Only the desired alterations in  $V_T$  were observed throughout the experiment; other ventilatory parameters such as mean airway pressure (MAP), ventilatory frequency (f),  $F_{I}O_2$  and  $T_i/T$  ratio did not change significantly. The values of haemodynamic parameters: mean arterial pressure ( $AP_{mean}$ ), systolic pressure ( $AP_{syst}$ ), central venous pressure (CVP), pulmonary capillary wedged pressure (PCWP), cardiac output (CO), pulmonary vascular resistance (PVR) and systemic vascular resistance (SVR) were not seen to fluctuate significantly throughout the experiment either.

## Discussion:

The results of the presented experimental study show that high frequency oscillatory hyperventilation causes a significant oxygen gain of over 33% when a very low tidal volume is used. The final tidal volume used during the hyperventilation was less than 3 ml/kg. The oxygen gain of over 33% was preserved even when the hypocapnia was fully re-established to the original normocapnic value by admixing carbon dioxide into the inspiratory gas.

The effect of increased tidal volume, and therefore increased minute ventilation, upon carbon dioxide clearance is well known both within conventional mechanical ventilation and high frequency oscillatory ventilation. The effect of hyperventilation upon CO<sub>2</sub> elimination is expected to be stronger than its effect upon oxygenation. Throughout our experiment, the same effects were observed. Even though the absolute value of PaO<sub>2</sub> gain was higher ( $3.75 \pm 0.52$  kPa) than the absolute decrease in PaCO<sub>2</sub> ( $2.05 \pm 0.31$  kPa), the relative increase in PaO<sub>2</sub> was lower (33%) than the relative decrease in PaCO<sub>2</sub> (37%). The relatively high effect of hyperventilation upon oxygenation during HFOV can be explained by different mechanisms of gas exchange taking place during FVOV than those acting during conventional ventilation. Effect of V<sub>T</sub> upon alveolar ventilation  $\dot{V}_A$  during conventional ventilation is often described by the conventional ventilation equation  $\dot{V}_A = (V_T - V_D) \cdot f$ , which was derived under the simplified condition that the gas exchange is assured solely by bulk gas flow in the respiratory system. Bulk flow is the predominant mechanism of gas exchange during conventional ventilation, but it cannot be significant during high frequency ventilation where tidal volumes are comparable or even less than the anatomical dead space volume. In this case, other more complex gas exchange mechanisms take place in gas exchange (Pillow 2005). A simple universal equation similar to the conventional ventilation equation cannot be derived easily. The existing ventilation equations valid for HFOV were derived either theoretically, e.g.

Brychta's eucapnic ventilation equation (Brychta and Javorka 1990), or empirically (Venegas *et al.* 1986) based on results of numerous animal studies. Regardless of the origin of the ventilation equation, a strong effect of dead space volume on gas exchange is expressed in all of these equations in the form of  $V_T/V_D$  ratio. When considering the fact that tidal volume during high frequency oscillatory ventilation is similar to or less than the anatomical dead space volume  $V_D$ , it may be expected that the tidal volume has a significant effect not only on carbon dioxide elimination, but also on oxygenation. This idea is in concordance with our clinical experience with HFOV application in adults and supports the presumption that tidal volume significantly affects the alveolar gas exchange with a consequent higher sensitivity in  $PaO_2$  to changes in tidal volume when compared to conventional mechanical ventilation. This presumption was also tested prior to the study using a gas exchange model (Kopelent *et al.* 2004). The model performs a numerical solution of the convection-diffusion equation for the oxygen transport in the respiratory system and confirms the higher effect of tidal volume upon the alveolar gas composition during HFOV when compared to conventional mechanical ventilation.

During conventional mechanical ventilation, positive end-expiratory pressure (PEEP) is applied to assure alveolar stability. PEEP helps to maintain a stable lung surface for gas exchange and to prevent dangerous repetitive closure and reopening of alveoli during each breath cycle that cause significant shear forces exerted to the alveolar walls. In HFOV, extremely small tidal volumes are used. These small tidal volumes cause significantly lower volume and pressure changes in the alveolar space. Therefore, mean airway pressure is the only parameter acting throughout the entire breath cycle that prevents both cyclic and permanent alveolar collapse. In our study, MAP was kept constant assuring the same level of lung recruitment and a constant lung surface for gas exchange in all the three experimental phases. Furthermore, MAP directly affects partial pressure of oxygen in the alveolar space,

$P_{A}O_2$ , and hence MAP affects oxygenation. Keeping MAP constant within all the three phases of the experiment allows eliminating the effect of MAP upon the experimental study results. The other ventilatory parameters except for  $V_T$ , i.e. ventilatory frequency and  $F_I O_2$ , were kept constant during the whole experiment as well. There were no significant variations in haemodynamic parameters during the experiment. In our opinion the only explanation of the observed oxygen gain of more than 33% is that hyperventilation positively influences the composition of the alveolar gas. Increased  $V_T$  causes an improvement of alveolar ventilation and consequently leads to an increase in the fresh air delivery into the alveolar space.

Admixing of small amount of  $CO_2$  into the inspiratory gas decreases the fraction of oxygen in the inspiratory gas,  $F_I O_2$ , slightly. To evaluate this effect, the  $CO_2$  flow rate should be compared with the minute ventilation. In phases 2 and 3, the ventilatory frequency was 5 Hz, i.e. 300 breaths per minute, and the average tidal volume was 100 ml ( $36 \text{ kg} \times 2.78 \text{ ml/kg}$ ), which yields a minute ventilation of 30 l/min. The average flow rate of  $CO_2$  during the compensation of hypocapnia was 1.15 l/min which represents 3.8% of the minute ventilation. The original fraction of air in the inspiratory gas was 100% when  $CO_2$  was not administered. It dropped to a value of 96.2% during the phase of hypocapnia compensation when the flow rate of  $CO_2$  represented 3.8% of the minute ventilation. As a result, fraction of oxygen in the inspiratory gas decreased from its original value of 20.9% to 20.1% within the normocapnic hyperventilation. This calculated change in  $F_I O_2$  is relatively small and is much less than the effects of hyperventilation upon oxygenation observed in this experimental study.

Normocapnic hyperventilation is a strategy that, besides increasing MAP and  $F_I O_2$ , can positively influence partial pressure of oxygen in the alveolar space. An increase in tidal volume during conventional ventilation can induce a dangerous excessive mechanical load on the lungs. It causes not only direct damage to the lung tissue, which is known as acute lung

injury, but it also induces an inflammatory response and negatively affects performance of other healthy organs (Carney *et al.* 2005, Kobr *et al.* 2010). High frequency ventilation is a ventilatory technique utilizing extremely low tidal volumes. The reduction of tidal volume belongs to the major principles of protective lung ventilation (Malhotra 2007, The Acute Respiratory Distress Syndrome Network 2000). According to the lung protective strategies, the target tidal volume in conventional mechanical ventilation is around 6 ml per kilogram of predicted body weight (Malhotra 2007), whereas tidal volumes used during HFOV are only 1–3 ml/kg. Therefore, alveolar ventilation can be improved considerably by the increase of  $V_T$  during HFOV; the increased  $V_T$  during high frequency hyperventilation will remain significantly lower than the current  $V_T$  used during conventional ventilation.

In many instances, applying the recommendations of lung protective ventilation may lead to an elevation of arterial carbon dioxide tension, referred to as permissive hypercapnia (Fan 2005). Although acute hypercapnic respiratory acidosis has many potential adverse effects, some evidence indicates that permissive hypercapnia is not only relatively benign (Laffey *et al.* 2004), but it may also be considered a therapeutic method (Chovanec *et al.* 2009) and is another central component of the current protective ventilatory strategies. To the contrary, hyperventilation leads to hypocapnia due to the increased alveolar ventilation. The admixture of carbon dioxide into the inspiratory gas may be used to regulate  $\text{PaCO}_2$  to a level required according to the current protective ventilatory strategy. The disadvantage of this method is due to its relative complexity in comparison to solely HFOV. The requirement for specialized equipment that assures precise and stable carbon dioxide administration is another disadvantage of the method.

**Conclusion:**

Normocapnic hyperventilation established during high frequency oscillatory ventilation leads to a significant improvement of oxygenation without negative effects associated with the increase in tidal volume or respiratory alkalosis. The oxygen gain can be explained by an increase in the partial pressure of oxygen in the alveolar gas due to increased alveolar ventilation. The admixture of CO<sub>2</sub> into the inspiratory gas provides an efficient tool for the re-establishment of normocapnia during hyperventilation, whereas the acquired oxygen gain is preserved. The concept of high frequency normocapnic hyperventilation may be used as a lung protective strategy significantly improving oxygenation.

## **Acknowledgment**

The study has been supported by grant MSMT CR No. MSM 6840770012 and CTU in Prague No. SGS 11/030/OHK4/3T/17.

**References:**

BRYCHTA O, JAVORKA K: Eucapnic ventilation equation. In: *Intensive and critical care medicine. International congress series, vol. 885*. O AOCHI, K AMAHA, H TAKESHITA (eds), Elsevier, Amsterdam, 1990, pp 801-802.

CARNEY D, DiROCCO J, NIEMAN G: Dynamic alveolar mechanics and ventilator-induced lung injury. *Crit Care Med* **33**: S122-S128, 2005.

FAN E, NEEDHAM DM, STEWART TE: Ventilatory management of acute lung injury and acute respiratory distress syndrome. *JAMA - J Am Med Assoc* **294**: 2889-2896, 2005.

CHOVANEC M, NOVOTNA J, WILHELM J, HAMPL V, VIZEK M, HERGET J: Hypercapnia attenuates hypoxic pulmonary hypertension by inhibiting lung radical injury. *Physiol Res* **58** Suppl 2: S79-85, 2009.

KOBR J, FREMUTH J, PIZINGEROVA K, FIKRLOVA S, JEHLICKA P, HONOMICHL P, SASEK L, RACEK J, TOPOLCAN O: Total body response to mechanical ventilation of healthy lungs: an experimental study in piglets. *Physiol Res* **59**: 545-552, 2010.

KOPELENT V, ROUBIK K: Effectivity of tracheal gas insufflation on artificial lung ventilation. *Conference Information: 2nd IASTED International Conference on Biomedical Engineering*, FEB 16-18, 2004 Innsbruck, AUSTRIA, Source: Proceedings of the Second IASTED International Conference on Biomedical Engineering: 465-468, 2004.

LAFFEY JG, O'CROININ D, McLOUGHLIN P, KAVANAGH BP: Permissive hypercapnia—role in lung protective ventilatory strategies. *Intens Care Med* **30**: 347-356, 2004.

MALHOTRA A: Low-tidal-volume ventilation in the acute respiratory distress syndrome. *New Engl J Med* **357**: 1113–1120, 2007.



McLUCKIE A: High-frequency oscillation in acute respiratory distress syndrome (ARDS). *Br J Anaesth* **93**: 322-324, 2004.

PACHL J, ROUBIK K, WALDAUF P, FRIC M, ZABRODSKY V: Normocapnic high-frequency oscillatory ventilation affects differently extrapulmonary and pulmonary forms of acute respiratory distress syndrome in adults. *Physiol Res* **55**: 15-24, 2006.

PILLOW JJ: High-frequency oscillatory ventilation: mechanisms of gas exchange and lung mechanics. *Crit Care Med* **33**: S135-S141, 2005.

THE ACUTE RESPIRATORY DISTRESS SYNDROME NETWORK: Ventilation with lower tidal volumes as compared with traditional tidal volumes for acute lung injury and the acute respiratory distress syndrome. *New Engl J Med* **342**: 1301-1308, 2000.

VENEGAS JG, HALES CA, STRIEDER DJ: A general dimensionless equation of gas transport by high-frequency ventilation. *J Appl Physiol* **60**: 1025-1030, 1986.

ZIMOVA-HERKNEROVA M, PLAVKA R: Expired tidal volumes measured by hot-wire anemometer during high-frequency oscillation in preterm infants. *Pediatr Pulm* **41**: 428-433, 2006.

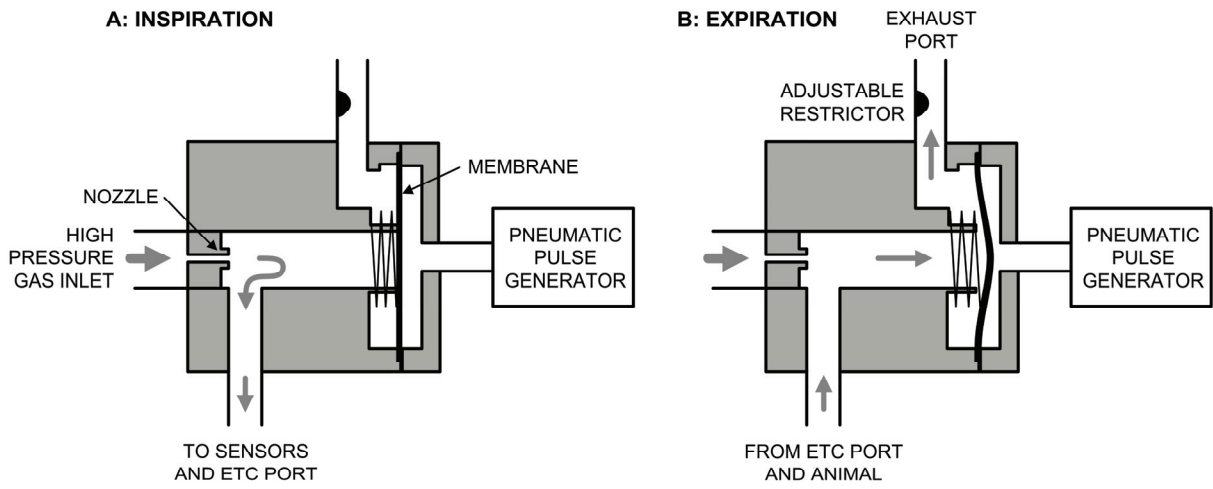


Fig. 1: Functional scheme of the ventilator. A—Condition and gas flow during inspiratory phase. B—Condition and gas flow during expiratory phase.

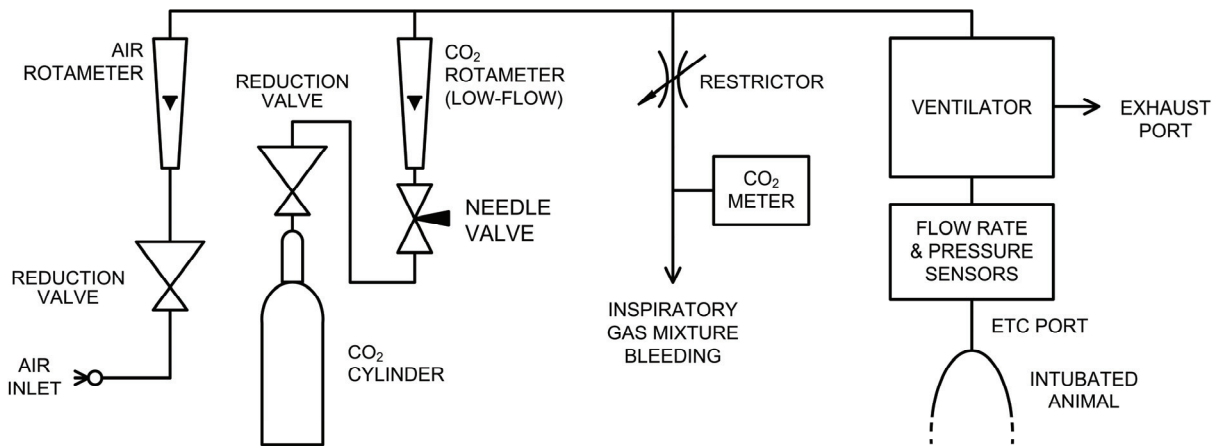


Fig. 2: Schematic drawing of the experimental setup during the study.

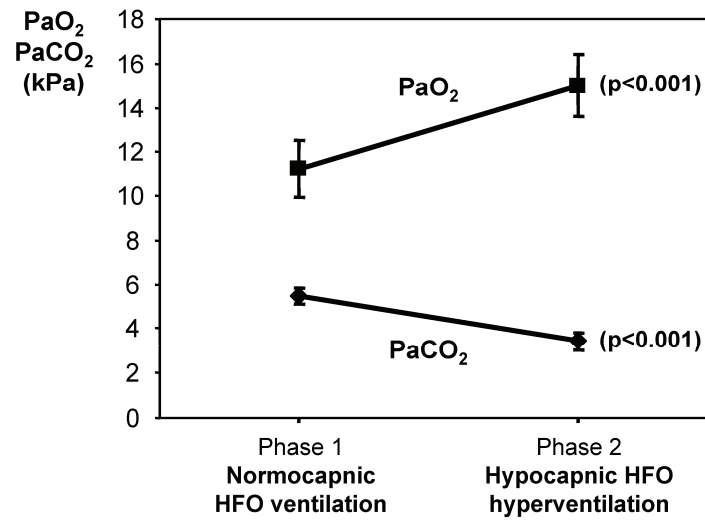


Fig. 3: Changes in PaO<sub>2</sub> and PaCO<sub>2</sub> after the introduction of HFO hyperventilation with an increased tidal volume compared to the normocapnic ventilation values established in the initial phase of the experiment.

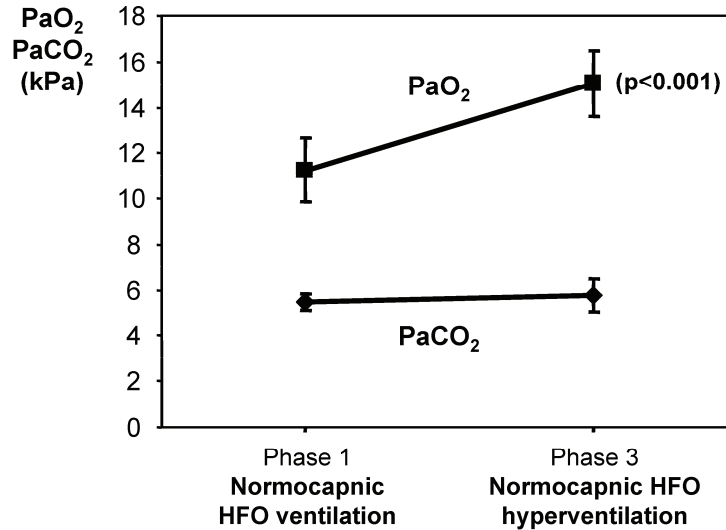


Fig. 4: Changes in PaO<sub>2</sub> and PaCO<sub>2</sub> after the introduction of normocapnic HFO hyperventilation with an increased tidal volume and supplementary carbon dioxide administration compared to the normocapnic ventilation values established in the initial phase of the experiment.