

# Optimal and online preemptive scheduling on uniformly related machines

Tomáš Ebenlendr\*      Jiří Sgall\*

November 30, 2007

## Abstract

We consider the problem of preemptive scheduling on uniformly related machines. We present a semi-online algorithm which, if the optimal makespan is given in advance, produces an optimal schedule. Using the standard doubling technique, this yields a 4-competitive deterministic and an  $e \approx 2.71$ -competitive randomized online algorithm. In addition, it matches the performance of the previously known algorithms for the offline case, with a considerably simpler proof. Finally, we study the performance of greedy heuristics for the same problem.

*Keywords:* Online scheduling; preemption; uniformly related machines.

## 1 Introduction

We consider the scheduling problem denoted  $Q|pmtn|C_{\max}$  in the three-field notation. We are given  $m$  uniformly related machines, each characterized by its speed, and a sequence of jobs, each characterized by its processing time. If a job with processing time  $p$  is assigned to a machine of speed  $s$  it requires time  $p/s$ . Allowing preemption means that any job may be divided into several pieces that may be processed on several machines; however, the time slots assigned to different pieces need to be disjoint. The goal is to minimize the length of the schedule (makespan), i.e., the time when all jobs are finished.

In the online problem  $Q|online-list, pmtn|C_{\max}$  the jobs arrive in a sequence and we have to assign each job without any knowledge of the future requests; the algorithm has to determine immediately all the machines and all the time slots in which the current job is scheduled. In other words, the online nature of the problem is in the order in the input sequence and it is not related to possible preemptions and the time in the schedule.

---

\*Mathematical Institute, AS CR, Žitná 25, CZ-11567 Praha 1, The Czech Republic. Email: ebik,sgall@math.cas.cz. Partially supported by Institutional Research Plan No. AV0Z10190503, by Inst. for Theor. Comp. Sci., Prague (project 1M0021620808 of MŠMT ČR), grant 201/05/0124 of GA ČR, and grant IAA1019401 of GA AV ČR.

We also consider the semi-online variant in which an algorithm is given in advance the value of the optimal makespan. Online and semi-online algorithms are evaluated by the competitive ratio and the approximation ratio, respectively, which in both cases is the worst case ratio of the length of the produced schedule to the minimal length.

Finally, we also study the performance of two well-known greedy heuristics, LIST and LPT. LIST (list scheduling) is an online algorithm which schedules each coming job so that it finishes as soon as possible. For preemptive scheduling, it means that at each time the job is scheduled on the fastest available machine. LPT (Largest Processing Time first) uses the same strategy, but the jobs are sorted and processed from the largest one; i.e., it is no longer an online algorithm.

Preemptive scheduling on uniformly related machines is a classical scheduling problem, yet it did not receive much attention in the online version. One motivation for its study is the expectation that, similarly as for identical machines, the problem should be tractable, as the structure of the optimum is well understood, and at the same time it could provide a useful insight for constructing efficient randomized algorithms for the non-preemptive version.

We describe known results and our contribution in each area separately.

## 1.1 Optimal offline and semi-online algorithms

For offline preemptive scheduling the optimal solution was given already by Horvath *et al.* [17] and Gonzales and Sahni [16]. The algorithm of Gonzales and Sahni is more efficient: First, the total number of preemptions in the schedule is  $2(m-1)$ , which is the best possible bound for schedules with the optimal makespan. Second, its running time is  $O(n+m \log m)$  and this is also best possible: the term  $m \log m$  is caused by sorting the largest  $m$  jobs, which is necessary to obtain the value of the optimal makespan. Another algorithm using  $2(m-1)$  preemptions was given by Shachnai *et al.* [20]; it simplifies the algorithm of Gonzales and Sahni, but it also sorts the jobs, so it is not semi-online and needs time  $O(n \log n + m^2)$ . ([20] claims running time  $O(n \log n)$ , however, the analysis sketched there is flawed as quadratic time is needed to update their data structure.)

An optimal (1-approximation) semi-online algorithm with the optimal makespan known in advance was previously known only for two machines, see Epstein [11].

*Our results.* We give an optimal (1-approximation) semi-online algorithm for the studied problem. It generates at most  $2(m-1)$  preemptions and runs in time  $O(n+m \log m)$ , thus it is as efficient as the offline algorithm of Gonzales and Sahni. In addition it has the advantage of being semi-online, i.e., the jobs can be scheduled in an arbitrary order after computing the optimal makespan.

Since the value of the optimal makespan can be easily computed, our algorithm can be also used as an efficient offline algorithm instead of the algorithm of Gonzales and Sahni. The efficiency is the same and we believe that our algorithm is significantly simpler and easier to understand.

## 1.2 Online algorithms

For  $Q|online-list|C_{\max}$ , non-preemptive scheduling on uniformly related machines, the first constant competitive algorithm was given by Aspnes *et al.* [1]; it is deterministic and its competitive ratio is 8. This was improved by Berman *et al.* [3]; they present a 5.828-competitive deterministic and a 4.311-competitive randomized algorithm. For an alternative very nice presentation see [2].

These algorithms can also be used for preemptive scheduling. Woeginger [23] observed that the optimal non-preemptive makespan is at most twice the optimal preemptive makespan for uniformly related machines. Consequently, the previous algorithms that do not use preemption are also 11.657-competitive deterministic and 8.622-competitive randomized algorithms for  $Q|online-list, pmtn|C_{\max}$ . No better preemptive online algorithms were known before for the general case.

All these algorithms are based on a semi-online algorithm and a doubling strategy for guessing the optimal value. This common tool was first used for online scheduling in [21, 1].

The lower bounds for  $Q|online-list|C_{\max}$  are 2.438 for deterministic algorithms [3] and 2 for randomized algorithms; the same lower bound of 2 works for  $Q|online-list, pmtn|C_{\max}$  both for deterministic and randomized algorithms [14].

*Our results.* Using our 1-approximation semi-online algorithm and the same doubling strategy as in the previous results, we obtain a 4-competitive deterministic and  $e \approx 2.7183$ -competitive randomized algorithms for  $Q|online-list, pmtn|C_{\max}$ .

*Subsequent results.* Subsequent to this work, an optimal online algorithm for any combination of speeds was given in [8]. The new algorithm is based on the idea of virtual machines introduced in this paper. The new algorithm is deterministic but it is optimal even among all randomized algorithms, solving one open question from the conference version of this paper. However, the best overall upper bound on the performance of the new algorithm is  $e \approx 2.71$  and it is based on the analysis of the randomized doubling algorithm from this paper. We do not know any direct proof of the same or better upper bound on the optimal algorithm. A new lower bound of 2.054 on the optimal competitive ratio is also shown in [8].

## 1.3 Greedy algorithms

Both LIST and LPT were previously studied for the non-preemptive case,  $Q|online-list|C_{\max}$ . The competitive ratio of LIST is not constant, it is asymptotically  $\Theta(\log m)$ , see [5, 1], for the lower bound and the upper bound, respectively. This is very far from the optimum, however, sorting the jobs improves the performance dramatically. The approximation ratio of LPT is between 1.52 and 1.66 [15]; a better upper bound of 1.58 is claimed in [7], but the proof appears to be incomplete. Recently Kovács [18] gave tighter bounds showing that the approximation ratio of LPT is between 1.54 and 1.5773.

*Our results.* We show that with preemption,  $Q|online-list, pmtn|C_{\max}$ , the situation is similar. The competitive ratio of LIST is  $\Theta(\log m)$  and the approximation ratio of LPT

is  $2 - 2/(m + 1)$ . Note the preemptive versions of LIST and LPT may generate very different schedules from the non-preemptive ones, as the greedy rule can take advantage of preemptions. So these result do not follow easily from the non-preemptive case.

## 1.4 Special cases

We conclude by a few cases in which we know the exact competitive ratio for preemptive scheduling from previous results.

The first case is that of identical machines (i.e., all the speeds are equal to 1), denoted by  $P|online-list, pmtn|C_{\max}$ . Chen *et al.* [4] gives an optimal deterministic algorithm and a matching lower bound which works even for randomized algorithms. The optimal competitive ratio is  $4/3$  for  $m = 2$  and increases to  $e/(e - 1) \approx 1.582$  as  $m \rightarrow \infty$ .

For the special case of two related machines the optimal competitive ratio for preemptive scheduling,  $Q2|online-list, pmtn|C_{\max}$ , was given independently by Wen and Du [22] and Epstein *et al.* [13] for any combination of speeds. If the ratio of the two speeds is  $s \geq 1$ , the optimal competitive ratio is  $1 + s/(s^2 + s + 1)$  (this is equal to  $4/3$  for  $s = 1$  and decreases to 1 as  $s \rightarrow \infty$ ); randomization does not help here either. The semi-online deterministic case of  $Q2|online-list, pmtn|C_{\max}$  with jobs arriving sorted was completely analyzed in [12].

The special case of non-decreasing speed ratios was solved in [10]. Extending the technique for identical machines, the exact competitive ratio is given for all combinations of speeds satisfying the given restriction; all these values are smaller than or equal to 2.

A preliminary version of the paper was presented at 21st Symposium on Theoretical Aspects of Computer Science (STACS) [9].

## 2 Preliminaries

Let  $M_i$ ,  $i = 1, \dots, m$ , denote the  $m$  machines and let  $s_i \geq 0$  be the speed of machine  $M_i$ . We assume, w.l.o.g., that the machines are sorted so that  $s_1 \geq s_2 \geq \dots$ . The input sequence of jobs is denoted  $J = (p_j)_{j=1}^n$ , where  $n$  is the number of jobs and  $p_j \geq 0$  is the processing time of the  $j$ th job.

Let OPT be the makespan of the optimal schedule. There are two easy lower bounds on OPT. First, OPT is bounded by the total work that can be done on all machines. Thus

$$\text{OPT} \geq \frac{\sum_{j=1}^n p_j}{\sum_{i=1}^m s_i}. \quad (1)$$

Second, OPT is bounded by the optimal makespan of any  $k$  jobs. If  $k < m$ , then an optimal schedule of  $k$  jobs uses only  $k$  fastest machines: if it used a slower machine, some faster one would be idle at the same time. Thus, for all  $k = 1, \dots, m - 1$ ,

$$\text{OPT} \geq \frac{\sum_{j=1}^k \bar{p}_j}{\sum_{i=1}^k s_i}, \quad (2)$$

where  $\bar{p}_j$  is the  $j$ th largest processing time. It is known that the actual value of  $\text{OPT}$  is the minimal value satisfying the conditions (1) and (2) [17, 16]; our algorithm and its analysis gives an alternative and easy proof of this fact. This means that given an input instance, we can compute the value  $\text{OPT}$  in time  $O(n + m \log m)$ , using the conditions (1) and (2).

### 3 An optimal semi-online algorithm

In this section, we give a semi-online algorithm, which, given  $T$ , generates a schedule with makespan at most  $T$ , if some such schedule exists.

The idea of the algorithm is to schedule each job on two adjacent machines so that, at any time in  $[0, T)$ , exactly one of them remains idle. Such a pair of machines can be thought as one *virtual machine* with possibly changing speed. For the subsequent jobs, such virtual machines are used in place of real ones. See Fig. 1 for an example. If a job is too small, we create a machine with zero speed, to fit this scheme. To prove that this outline works, it remains to check that if a job is too long to fit on a machine,  $T$  is smaller than  $\text{OPT}$ , as one of the conditions (1) and (2) is violated.

#### 3.1 Preliminaries

We assume in this section, w.l.o.g., that  $p_j > 0$  for all  $j$ ; any algorithm can skip the jobs with  $p_j = 0$ . We define machines  $M_{m+1}, M_{m+2}, \dots$  as machines with speed equal to zero. These machines only serve to simplify the description of the algorithm as otherwise we would need to analyze separately a case when a job is too small to occupy the slowest machine for the whole time interval  $[0, T)$ .

We define a *virtual machine* as a set of adjacent machines, such that exactly one of them is idle at any time in  $[0, T)$ . Let  $V_i$  denote the  $i$ th virtual machine. Scheduling a job on  $V_i$  at time  $t$  means that we schedule it on the machine in  $V_i$  that is idle at time  $t$ . The speed of virtual machine  $V_i$  is denoted  $v_i(t)$ ; it is defined to be the speed of the unique machine in  $V_i$  which is idle at time  $t$ . Let  $W_i = \int_0^T v_i(t) dt$  be the total work which can be done on  $V_i$ . Note that a virtual machine is defined so that all this work can be used by a single job.

#### 3.2 Algorithm InTime

The algorithm is defined to schedule in the interval  $[o, o+T)$  instead of  $[0, T)$ . This is used later in the online variants of the algorithm.

**Invariants:** The algorithm works with sets  $V_i$  and numbers  $W_i$ . The following properties of the virtual machines are invariants of the algorithm:

1. Sets  $V_i$  are virtual machines with speed  $v_i(t)$  at time  $t \in [o, o+T)$ . Every real machine belongs to exactly one virtual machine.  $W_i = \int_o^{o+T} v_i(t) dt$ .
2. For all  $i$  and  $t$ ,  $v_i(t) \geq v_{i+1}(t)$ . This also implies  $W_i \geq W_{i+1}$ .

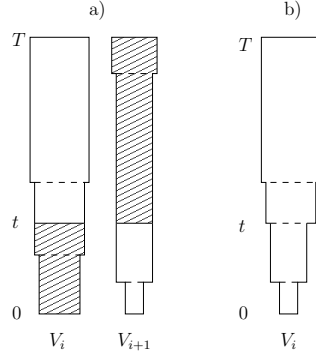


Figure 1: One step of the algorithm InTime. The vertical axis is the time. The width of the columns is proportional to the speed of the machines and thus the area is proportional to the work done on a given job. (a) Two machines with one job that spans over  $[0, T)$ . (b) The new virtual machine obtained by merging the two idle parts. There is a new postponed preemption at time  $t$ .

3. Each job that is already processed is scheduled on machines that belong to a single virtual machine. For every  $i$ , there are exactly  $|V_i| - 1$  jobs that are scheduled on the machines that belong to  $V_i$ .

**Algorithm** *InTime*( $T$ )

- Initialization:
  - procedure** *InitInTime*(*offset*, *time*)
    - $T := time; o := offset$
    - For all**  $i$  **do**  $V_i := \{M_i\}; W_i := s_i \cdot T$
- Step  $j$ : (schedule a job  $j$  with processing time  $p = p_j$ )
  - function** *DoInTime*( $p$ )
    1. **Find**  $i$  **such that**  $W_i \geq p > W_{i+1}$  **or return FALSE**
    2. **Find**  $t$  **such that**  $\int_o^t v_i(\tau) d\tau + \int_t^{o+T} v_{i+1}(\tau) d\tau = p$
    3. **Schedule job**  $p$  **on**  $V_i$  **in time interval**  $[o, o + t)$  **and on**  $V_{i+1}$  **in**  $[o + t, o + T)$ .
    4.  $V_i := V_i \cup V_{i+1}; W_i := W_i + W_{i+1} - p;$   
**For all**  $j > i$  **do**  $V_j := V_{j+1}; W_j := W_{j+1}$
    5. **return TRUE**
- Main body:
  - InitInTime*( $0, T$ );
  - for**  $j := 0$  **to**  $n$  **do if not** *DoInTime*( $p_j$ ) **fail**

**Theorem 3.1** *Algorithm InTime maintains all the invariants and generates a schedule with makespan at most  $T$  whenever the conditions (1) and (2) are satisfied for the input instance, i.e., whenever such a schedule exists.*

**Proof:** All invariants are satisfied after the initialization. Now we show that the function  $DoInTime()$  maintains the invariants and that it can fail only in line 1.

In line 2,  $t$  exists because the left-hand side of condition is continuous in  $t$ , and  $p$  lies between values of the left-hand side for  $o$  and  $o+T$  (i.e., between  $W_{i+1}$  and  $W_i$ ). The value  $t$  can be computed efficiently since the function  $v_i(t)$  changes its value at most  $m$  times.

Line 3 is correct, because virtual machines are idle by definition. The real schedule can be generated because the algorithm knows the mappings to determine  $v_i(t)$ .

Line 4 merges the two half-used virtual machines to one virtual machine that satisfies invariant 1. Invariant 2 is not broken because the two virtual machines are adjacent. If there are  $k$  real machines and  $k - 1$  jobs in  $V_i$  and  $l$  machines and  $l - 1$  jobs in  $V_{i+1}$ , we create one virtual machine with  $k + l$  real machines and  $k + l - 1$  jobs by scheduling the actual job and merging the two virtual machines. Thus invariant 3 is valid as well.

If  $DoInTime()$  returns FALSE in line 1, then  $p_j > W_1$  when processing some job  $j$  (we always have a machine of speed zero). We know that  $V_1 = \{M_1, \dots, M_k\}$ , for some  $k$ . In case  $k \geq m$  we know that  $\sum_{j'=1}^j p_{j'} > T \cdot \sum_{i=1}^m s_i$ . By (1),  $T < \text{OPT}$  and thus no schedule exists. In case  $k < m$  we know that there are  $k - 1$  jobs scheduled on the machines of  $V_1$ . So, including  $j$ , we have  $k$  jobs that are together larger than the total work that can be done on the  $k$  fastest machines before  $T$ . By (2),  $T < \text{OPT}$  and no schedule exists again.

■

Our algorithm can also be used as an optimal offline algorithm. As noted in the previous section, the exact preemptive optimum can be computed using conditions (1) and (2). Using the computed value as  $T$  in  $InTime(T)$ , Theorem 3.1 guarantees that the produced schedule has makespan at most  $T$ . Since the conditions (1) and (2) are necessary, the makespan of any schedule cannot be smaller than  $T$ , and the produced schedule is thus optimal.

### 3.3 Efficiency of the algorithm

**The number of preemptions.** There are two types of preemptions in the algorithm. *Immediate preemptions* are created by dividing a job between two virtual machines. *Postponed preemptions* are generated by scheduling on the virtual machine as its speed changes. It is clear that every immediate preemption generates at most one postponed preemption.

Define a zero virtual machine as a set of real machines with zero speed. When scheduling on a non-zero virtual machine and a zero virtual machine, no immediate preemption occurs because the job is completed on the non-zero one. On the other hand, after scheduling on two non-zero machines, the number of non-zero machines decreases. Because we have  $m$  non-zero virtual machines after the initialization, the algorithm creates at most  $m - 1$  immediate preemptions and thus no more than  $2m - 2$  preemptions overall.

**The time complexity and implementation.** Even with a simple implementation using linked lists to store both the list of machines and the lists of preemptions on the machines, the algorithm is quite efficient.

If a job is scheduled partially on a zero virtual machine, it is processed in time  $O(1)$ . The analysis of the number of preemptions implies that only  $m - 1$  jobs are scheduled on two non-zero virtual machines; each such step takes  $O(m)$  time, including searching for the time of the new preemption, actual scheduling and merging the lists of remaining preemptions. Thus the total time is  $O(n + m^2)$ .

To improve the running time to  $O(n + m \log m)$ , we use search trees to store both the list of machines and the lists of preemptions on the machines. Specifically, we use 2-3-trees, defined as search trees with inner nodes with 2 or 3 successors that are perfectly balanced, i.e., all the leaves have the same depth. The items are stored at leaves only. Each inner vertex also contains pointers to the leftmost and rightmost nodes in its subtree; this allows to test in constant time if our key is smaller or larger than all the keys in the tree. This standard data structure with  $N$  items needs in the worst case time  $O(\log N)$  to perform search, insertion, delete, or merge of two trees such that all the keys in one tree precede all the keys in the other tree, see [6].

The non-zero virtual machines are stored in the 2-3-tree using the value of  $W_i$  as a key. The zero machines are not represented, when scheduling on the last represented machine, the algorithm acts as if the next virtual machine exists and it is the zero one.

The virtual machine  $V_i$  is represented by its  $W_i$ , its preemption offset  $\omega_i$  (an arbitrary real number, as explained in the next paragraph) and a 2-3-tree of preemptions. Each preemption is represented by its time  $\pi_{i,j}$ , which is also used as a search key, its relative work  $w_{i,j}$  and the index of the corresponding real machine. The relative work  $w_{i,j}$  is defined so that  $w_{i,j} + \omega_i$  is the actual work that can be done on  $V_i$  before time  $\pi_{i,j}$ .

The algorithm needs to know the actual work that can be done before any given postponed preemption. A simple solution which simply remembers this value for each preemption does not allow fast updates. The more complicated representation with an offset  $\omega_i$  solves this problem. In particular, if the actual work of many preemptions needs to be updated by the same number the algorithm changes preemption offset  $\omega_i$  instead of changing all the values  $w_{i,j}$ .

Now we specify how each step of the algorithm is implemented with this data structure and analyze the running time.

In line 1, the algorithm searches for  $V_i$ , but at first it looks at the last non-zero virtual machine in constant time. The search is done in  $O(\log m)$ . There are at most  $m - 1$  searches, as the number of virtual machines decreases after each search, and the total cost is  $O(n + m \log m)$ .

If  $W_{i+1} = 0$ , in line 2 the algorithm looks on the first preemption of  $V_i$  before doing the search, so if the job can be done before the first preemption the lines 2 to 4 take only constant time. If not, the algorithm searches for the appropriate value of  $t$  in time  $O(\log m)$ . For all jobs, the total time is at most  $O(m \log m)$  because we delete at least one preemption if the job is longer than the first preemption. The complexity of scheduling a job in lines 3 and 4 is a constant plus  $O(\log m)$  for each removed preemption. Thus the



total complexity of this case for all jobs is at most  $O(n + m \log m)$ .

If  $W_{i+1} > 0$ , the algorithm is scheduling on two non-zero machines. Let  $\Pi_i$  be the current number of preemptions of  $V_i$ .

In line 2, the algorithm searches for the indices  $k$  and  $l$  satisfying  $\pi_{i,k} \leq t < \pi_{i,k+1}$  and  $\pi_{i+1,l} \leq t < \pi_{i+1,l+1}$ . After this it computes the value of  $t$ . We claim that this can be done in time  $O(\log \Pi_i \log \Pi_{i+1})$ . Assume that  $\Pi_i \leq \Pi_{i+1}$ , otherwise use a symmetric argument. For any time  $\tau$ , we may compute in time  $O(\log \Pi_{i+1})$  the work that can be performed on  $V_{i+1}$  after time  $\tau$  (using binary search on the preemptions of  $V_{i+1}$ ). We perform a binary search for the correct value of  $k$ . In constant time we find a preemption on  $V_i$  which is approximately in the middle of the tree (e.g., the leftmost leaf in the second subtree). In time  $O(\log \Pi_{i+1})$  we determine if  $t$  needs to be before or after this preemption and recurse. After at most two iterations the height of the remaining 2-3-tree decreases, thus after  $O(\log \Pi_i)$  iterations we are done. After computing  $k$ , it is easy to compute  $l$  in time  $O(\log \Pi_{i+1})$  and  $t$  in constant time. This finishes the proof of the claim.

In line 3, we schedule the job and update the preemption trees on the two machines so that we remove the preemptions used by the scheduled job one by one. The time needed for this is a constant for each job plus at most  $O(\log m)$  for each removed preemption. Thus the total cost is at most  $O(n + m \log m)$ .

In line 4, the algorithm needs to merge the trees of remaining preemptions. Note that all the remaining preemptions on  $V_i$  occur after all the remaining preemptions on  $V_{i+1}$ . The algorithm first, in constant time, updates the offset  $\omega_i$  so that  $\omega_i + w_{i,j}$  is the actual work before any remaining preemption that can be done on the new merged virtual machine. Next it updates the offset and the relative work of preemptions in the smaller tree so that the actual work does not change and  $\omega_i = \omega_{i+1}$ ; this takes time  $O(\min(\Pi_i, \Pi_{i+1}))$ . Finally, the 2-3-trees of preemptions are concatenated and the tree of machines is updated, in time  $O(\log m)$  or total  $O(m \log m)$  for all occurrences of this case.

It remains to bound the total of the contributions  $O(\log \Pi_i \log \Pi_{i+1} + \min(\Pi_i, \Pi_{i+1}))$ . We claim that the total of these contributions until a virtual machine with  $a$  non-zero real machines is created is at most  $T(a) = C \cdot a \log_2 a$ , for some constant  $C$ . When merging adjacent machines with  $a$  and  $b$  real machines,  $a \geq b \geq 1$ , the number of preemptions on them is at most  $a$  and  $b$  and thus the new contribution is, for some sufficiently large  $C'$ ,  $C''$  and  $C$ , at most

$$C'(b + \log_2 b \log_2 a) = C'(b + \log_2 b \log_2 b + \log_2 b \log_2 \frac{a}{b}) \leq C'' \cdot b(1 + \log_2 \frac{a}{b}) \leq C \cdot b \log_2(1 + \frac{a}{b})$$

This shows that the total time for creating a virtual machine with  $a + b$  real machines by merging two virtual machines with  $a$  and  $b$  real machines is at most

$$\begin{aligned} T(a) + T(b) + C \cdot b \log_2(1 + \frac{a}{b}) &= C \cdot \left( a \log_2 a + b \log_2 b + b \log_2 \left( \frac{a+b}{b} \right) \right) \\ &= C \cdot (a \log_2 a + b \log_2(a + b)) \\ &\leq C \cdot (a + b) \log_2(a + b), \end{aligned}$$

and the induction is complete. The algorithm possibly ends with more than one non-zero virtual machine, but  $T(a) + T(b) \leq T(a + b)$  and there are only  $m$  non-zero real machines, thus the total contribution is at most  $T(m) = O(m \log m)$ .

Summarizing, the total time complexity of the algorithm is  $O(n + m \log m)$ .

### 3.4 Generalizations

Our algorithm can be generalized so that the real machines change their speeds over time arbitrarily. In fact, this is what our virtual machines do. It is necessary to preprocess the speed profiles so that at each time the machines are sorted according to their speeds; this is easy to do using additional preemptions to “glue” the initial virtual machines from pieces of different real machines. The same lower bounds (1) and (2) then hold for the optimum and the algorithm gives a matching schedule. Naturally, the running time and the number of preemptions depend on the speed profiles of the machines.

## 4 Doubling online algorithms

When the optimal makespan is not known in advance, we guess it and if the guess turns out to be too small, we double it. It is well known that this technique can be improved by initial random guess with an exponential distribution; it is also not hard to optimize the multiplicative constants. The proofs below are standard.

**Algorithm** *Double*()

Initialization:

$G := p_1/s_1; B := 0; \text{InitInTime}(B, G)$

Step  $j$ :

**while not** *DoInTime*( $p_j$ ) **do**

$B := B + G; G := 2 \cdot G; \text{InitInTime}(B, G)$

**Theorem 4.1** *The algorithm Double is a 4-competitive deterministic online algorithm for preemptive scheduling on uniformly related machines.*

**Proof:** We divide the run of the algorithm in phases so that every phase begins with a call to *InitInTime*( $B, G$ ). This ensures that the algorithm schedules the jobs in the interval  $[B_p, B_p + G_p]$  in phase  $p$ . Intervals do not overlap because  $B_{p+1} = B_p + G_p$ .

The algorithm stops at the latest when  $G \geq \text{OPT}$  because *DoInTime*( $p_j$ ) does not fail then (every subsequence of  $J$  can be scheduled in time  $\text{OPT}$ ). Let  $G_f$  be the last value of  $G$ . This yields  $G_f \leq 2 \cdot \text{OPT}$  and  $B_f = \sum_{p=1}^{f-1} G_p < \sum_{i=1}^{\infty} 2^{-i} \cdot G_f = G_f$ . All jobs end before the time  $B_f + G_f < 2 \cdot G_f \leq 4 \cdot \text{OPT}$ . ■

**Algorithm** *DoubleRand*()

Initialization:

$r := \text{rand}([0, 1]);$  ( $r$  is uniformly distributed in  $[0, 1]$ )

$G := e^r \cdot p_1/s_1; B := 0; \text{InitInTime}(B, G)$

Step  $j$ :

**while not** *DoInTime*( $p_j$ ) **do**

$B := B + G; G := e \cdot G; \text{InitInTime}(B, G)$

**Theorem 4.2** *The algorithm DoubleRand is an  $e$ -competitive randomized algorithm for preemptive scheduling on uniformly related machines.*

**Proof:** Define  $k = \ln(\text{OPT} \cdot s_1/p_1)$ , note that  $k$  is a constant and  $k \geq 1$ . The algorithm multiplies  $G$  no more than  $\lceil k-r \rceil$  times, because  $e^{r+\lceil k-r \rceil} \cdot p_1/s_1 \geq e^k \cdot p_1/s_1 = \text{OPT}$ . Denote  $z = \lceil k-r \rceil - (k-r)$ , i.e., the fractional part of  $k-r$ . Then  $z \in [0, 1]$  is a random variable with the uniform distribution. The algorithm stops with  $G_f \leq e^{r+\lceil k-r \rceil} \cdot p_1/s_1 = e^z \cdot \text{OPT}$ . The expected makespan of the produced schedule is at most  $\mathbb{E}[B_f + G_f] \leq \sum_0^\infty e^{-i} \cdot \mathbb{E}[G_f] \leq \frac{e}{e-1} \cdot \mathbb{E}[e^z] \cdot \text{OPT} = e \cdot \text{OPT}$ . ■

## 5 Greedy algorithms

The greedy rule for scheduling on related machines instructs us to schedule each coming job so that it ends as soon as possible. With preemptions, this is achieved by scheduling the job from time 0 on the fastest idle machine (if there is any), for every time  $t$ , until it is completed. Thus the first job is scheduled on the fastest machine. The second job on the second fastest, with a preemption at the end of first job (if it is not completed earlier), and then on the fastest machine, etc. See Fig. 2 for an example. This algorithm is called LIST scheduling. If, in addition, the jobs arrive ordered so that their sizes are non-increasing, the algorithm is called LPT (Largest Processing Time first).

We prove that LIST and LPT have asymptotically the same competitive and approximation ratio as in the non-preemptive case. However, note that this is not a straightforward consequence of the non-preemptive case, as the preemptive and non-preemptive versions of LIST can generate different schedules on the same instance.

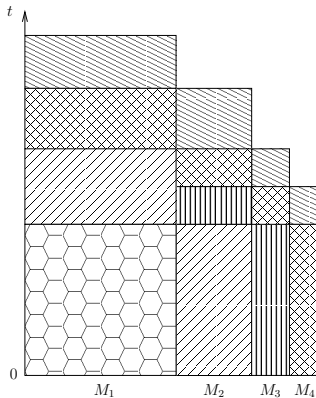


Figure 2: An example of a schedule generated by the LIST algorithm. Similarly shaded regions correspond to the same job.

**Notation.** For a given instance,  $\text{NOPT}$  denotes a non-preemptive optimal schedule and its makespan. It is known that  $\text{NOPT} \leq 2 \cdot \text{OPT}$ . This is proved as an upper bound

on the non-preemptive LPT algorithm in [23]; a refined version of this proof is used in Theorem 5.7.

For input sequences  $J$  and  $J'$ ,  $J' \subseteq J$  denotes that  $J'$  is a subsequence of  $J$  (an arbitrary subset of jobs in the same order, not necessarily a contiguous segment). We say that  $J$  dominates  $J'$  if  $p_j \geq p'_j$  for all  $j$ . In both cases trivially  $\text{OPT}(J') \leq \text{OPT}(J)$ .

## 5.1 Analysis of LIST

LIST is a simple online algorithm. However, we show that its competitive ratio is  $\Theta(\log m)$  and thus it is not very good. Let  $\text{LIST}(J)$  denote both the schedule generated by LIST on the input sequence of jobs  $J$  and its makespan.

We start by the upper bound. First we show that decreasing the size of jobs can only improve the schedule. This implies that removing short jobs decreases the makespan by a constant multiple of OPT; doing this in a logarithmic number of phases we obtain the desired bound.

**Lemma 5.1** *Suppose that  $J$  dominates  $J'$ . Then  $\text{LIST}(J) \geq \text{LIST}(J')$ .*

**Proof:** For the purpose of this proof, to cover the case  $n > m$ , assume that there are infinitely many machines with zero speed (similarly as in our algorithm).

Consider the schedule after scheduling job  $p_j$ . Let  $t_{i,j}$ ,  $i \leq j$ , denote the  $i$ th smallest completion time of a job and let  $T_j = (t_{i,j})_{i=1}^j$  be the sequence of all the completion times after scheduling  $p_j$ . Note that the sequence  $T_j$  is non-decreasing. Define  $t_{0,j} = 0$ . The job  $p_{j+1}$  is scheduled on machine  $M_{j+1-i}$  in the interval  $[t_{i,j}, t_{i+1,j})$  and on  $M_1$  after  $t_{j,j}$ ; of course this holds only until it is completed (the job may be too short to reach  $M_1$  or even slower machines). The corresponding times for  $J'$  are denoted by  $t'_{i,j}$  and the sequences  $T'_j$ .

We prove by induction on  $j$  that for all  $i$ ,  $t'_{i,j} \leq t_{i,j}$ , i.e.,  $T'_j$  is point-wise smaller than or equal to  $T_j$ . The induction assumption for  $j = 0$  is trivial. The induction step from  $j$  to  $j + 1$  says that if  $p'_{j+1} \leq p_{j+1}$  and  $t'_{i,j} \leq t_{i,j}$  for all  $i$ , then  $t'_{i,j+1} \leq t_{i,j+1}$  for all  $i$ .

By the induction assumption, the job  $p'_{j+1}$  in  $\text{LIST}(J')$  is, at every time  $t$ , processed by a machine that is at least as fast as the machine that processes the job  $p_j$  in  $\text{LIST}(J)$  at the same time. Moreover,  $p'_{j+1} \leq p_{j+1}$ . So the job  $p'_{j+1}$  must be completed earlier than or at the same time when  $p_{j+1}$  is. The sequence  $T'_{j+1}$  is obtained from  $T'_j$  by inserting the completion time of  $p'_j$ , while  $T_{j+1}$  is obtained from  $T_j$  by inserting the completion time of  $p_j$ . Since a smaller or equal number is inserted into a point-wise smaller or equal sorted sequence  $T'_j$ , it necessarily remains point-wise smaller than or equal to  $T_j$  and the inductive claim follows.  $\blacksquare$

**Lemma 5.2** *Let  $J' \subseteq J$ . Let  $t$  be a time such that all jobs  $j \in J \setminus J'$  are completed at time  $t$  in  $\text{LIST}(J)$ . Then  $\text{LIST}(J) \leq t + \text{LIST}(J')$ .*

**Proof:** Let  $J''$  be obtained from  $J'$  by replacing each job  $p_j$  by  $p'_j$  which is equal to the part of  $p_j$  not processed in  $\text{LIST}(J)$  by time  $t$ . Then the schedule  $\text{LIST}(J'')$  is exactly the same as the interval  $[t, \text{LIST}(J))$  of the schedule  $\text{LIST}(J)$ , except for the shift by  $t$ . By its definition,  $J''$  is dominated by  $J'$ . Using Lemma 5.1 we get  $\text{LIST}(J) = t + \text{LIST}(J'') \leq t + \text{LIST}(J')$ . ■

**Lemma 5.3** *All jobs  $j$  with  $p_j \leq p_{\max}/m$  are completed by time  $3 \cdot \text{OPT}$  in  $\text{LIST}(J)$ .*

**Proof:** First we claim that all jobs are started in  $\text{LIST}$  by the time  $\text{OPT}$ . Otherwise all machines are busy until some time  $t > \text{OPT}$ , the total work processed is  $\sum_{j=1}^n p_j \geq t \cdot \sum_{i=1}^m s_i > \text{OPT} \cdot \sum_{i=1}^m s_i$ , a contradiction with (1).

Second, we claim that all machines with speed  $s \leq s_1/m$  are idle at and after time  $2 \cdot \text{OPT}$ . Let  $I$  be the indices of the slow machines,  $I = \{i \mid s_i \leq s_{\max}/m\}$ . The total capacity of them is small, namely  $\sum_{i \in I} s_i \leq (m-1)s_1/m < s_1 \leq \sum_{i \notin I} s_i$  and thus  $2 \sum_{i \notin I} s_i > \sum_{i=1}^m s_i$ . Suppose some machine from  $I$  is not idle at time  $2 \cdot \text{OPT}$ . Then all machines from  $M \setminus I$  are busy for all the time from 0 till  $2 \cdot \text{OPT}$  and the total size of jobs processed on them is at least  $2 \cdot \text{OPT} \cdot \sum_{i \notin I} s_i > \text{OPT} \cdot \sum_{i=1}^m s_i$ , which is a contradiction with (1) as well.

It follows that after time  $2 \cdot \text{OPT}$ , each job is scheduled and moreover it is scheduled only on machines faster than  $s_1/m$ . If  $p_j \leq p_{\max}/m$ , then the job  $p_j$  is completed by time  $2 \cdot \text{OPT} + p_j/(s_1/m) \leq 2 \cdot \text{OPT} + p_{\max}/s_1 \leq 3 \cdot \text{OPT}$ . ■

**Lemma 5.4** *All the jobs with  $p_j \leq 2p_{\min}$  are completed by time  $3 \cdot \text{NOPT}$ .*

**Proof:** Let  $M_k$  denote the slowest machine used in a non-preemptive optimal schedule  $\text{NOPT}$ . Then  $p_{\min}/s_k \leq \text{NOPT}$ . We also know that  $M_k$  is idle in  $\text{LIST}$  at time  $\text{NOPT}$ , as otherwise  $\text{LIST}$  would schedule larger total work of jobs than  $\text{NOPT}$ . Then any job with  $p_j \leq 2p_{\min}$  is completed by time  $\text{NOPT} + p_j/s_k \leq \text{NOPT} + 2p_{\min}/s_k \leq 3 \cdot \text{NOPT}$ . ■

**Theorem 5.5**  *$\text{LIST}$  is a  $(9 + 6 \log_2 m)$ -competitive algorithm for preemptive scheduling on related machines.*

**Proof:** Let  $J$  be the input sequence, let  $k = \lceil \log_2 m \rceil$ . We define job sequences  $J_k \subseteq \dots \subseteq J_1 \subseteq J_0 \subseteq J$ ;  $p_j^{(i)}$  and  $p_{\min}^{(i)}$  then refer to the processing times in the sequence  $J_i$ . Define  $J_0$  as the sequence  $J$  without jobs with  $p_j \leq p_{\max}/m$ . Define  $J_{i+1}$  as the sequence  $J_i$  without jobs with  $p_j^{(i)} \leq 2p_{\min}^{(i)}$ . It follows that  $J_k$  is an empty sequence and  $\text{LIST}(J_k) = 0$ . By Lemmata 5.3 and 5.2,  $\text{LIST}(J) \leq 3 \cdot \text{OPT} + \text{LIST}(J_0)$ . By Lemmata 5.4 and 5.2,  $\text{LIST}(J_i) \leq 3 \cdot \text{NOPT} + \text{LIST}(J_{i+1}) \leq 6 \cdot \text{OPT} + \text{LIST}(J_{i+1})$ . Putting this together, we have  $\text{LIST}(J) \leq 3 \cdot \text{OPT} + \text{LIST}(J_0) \leq 3 \cdot \text{OPT} + 6k \cdot \text{OPT} + \text{LIST}(J_k) \leq (9 + 6 \log_2 m) \cdot \text{OPT}$ . ■

Now we turn to the lower bound. The instance uses groups of machines with geometrically decreasing speeds, but the number of machines increases even faster so that the total capacity of slow machines is larger than the capacity of the fast machines.

**Theorem 5.6** *The competitive ratio of  $\text{LIST}$  is  $\Omega(\log m)$ .*

**Proof:** Let us construct the hard instance. Choose integers  $a, b, g$  such that  $a \geq 2b > 4$  and  $g$  is arbitrary. The set of machines consists of groups  $G_0, \dots, G_g$ , where the group  $G_i$  consists of  $a^i$  machines with speed  $b^{-i}$ . The jobs are in similar groups named  $J_i$ , each containing  $a^i$  jobs of length  $b^{-i}$ . The input sequence is a concatenation of these groups starting with the smallest job, that is,  $J = J_g, \dots, J_0$ . We name the phases by the groups of jobs processed in each phase (i.e., we start by phase  $J_g$ , note that the indices of the groups are decreasing).

By scheduling each  $J_k$  to  $G_k$  we get  $\text{OPT} = 1$ , so it remains to prove that  $\text{LIST} \geq \Omega(\log m)$ .

For  $k = 1, \dots, g$ , let  $i_k = \sum_{l=0}^{k-1} a^l$  be the total number of processors in groups  $G_0, \dots, G_{k-1}$ . The choice of  $a$  guarantees that the number of jobs in  $J_k$  is  $a^k \geq 2i_k$ .

To prove a lower bound on  $\text{LIST}(J)$ , we construct a sequence  $J'$  dominated by  $J$ . Each group  $J_k$ , for  $k = g, \dots, 1$ , is replaced by a corresponding group  $J'_k$ , defined inductively below. The last group  $J_0$  with a single job is unchanged, so the sequence  $J'$  is defined as the concatenation of the groups  $J'_g, \dots, J'_1, J_0$ .

To modify the group  $J_k$ , consider the schedule  $\text{LIST}(J'_g, \dots, J'_{k+1}, J_k)$ . All the jobs in  $J_k$  have the same length, thus their completion times are non-decreasing. We construct a group  $J'_k$  by shortening the last  $i_k$  jobs in  $J_k$  so that their completion times are equal. Denote this common completion time  $\tau_k$ . For  $k = 0$ , the sequence is not modified and  $\tau_0$  is the completion time of the single job in  $J_0$ . Define also  $\tau_{g+1} = 0$ .

We prove by induction that, for each  $k = g, \dots, 0$ , (i)  $1 \geq \tau_k - \tau_{k+1} \geq \Omega(1)$  and (ii) in the schedule  $\text{LIST}(J'_g, \dots, J'_{k+1}, J'_k)$ , all the  $i_k$  processors in groups  $G_0, \dots, G_{k-1}$  are busy until time  $\tau_k$  and all the machines are idle after time  $\tau_k$ .

To start, note that (ii) for  $k = g + 1$  holds trivially. Using (ii) for  $k + 1$ , it is feasible to schedule all jobs in  $J_k$  on machines  $G_k$  starting from time  $\tau_{k+1}$  without preemptions and completing at time  $1 + \tau_{k+1}$ . The greedy schedule may schedule the jobs on faster processors which can only decrease their completion times and thus the first inequality of (i) holds. Using (ii) for  $l > k$ , it follows that the work done on any job in  $J_k$  before time  $\tau_{k+1}$  is at most  $\sum_{l=k+1}^g (\tau_l - \tau_{l+1}) b^{-l} \leq \sum_{l=k+1}^{\infty} b^{-l} = b^{-k}/(b-1)$ . Consequently, all the completion times of jobs in  $J_k$  are larger than  $\tau_{k+1}$ ; thus  $\tau_k > \tau_{k+1}$  and (ii) holds for  $k$  by the structure of the LIST schedule. Since the first  $i_k$  jobs from  $J_k$  are not shortened, the work done on the machines in  $G_0, \dots, G_{k-1}$  between  $\tau_{k+1}$  and  $\tau_k$  is at least

$$i_k \left( b^{-k} - \frac{1}{b-1} b^{-k} \right) \geq \frac{b-2}{b-1} b^{-k} a^{k-1}.$$

The total capacity of the machines in  $G_0, \dots, G_{k-1}$  is  $\sum_{l=0}^{k-1} a^l b^{-l} < a^k b^{-k}$ , using  $a/b \geq 2$ . Thus

$$\tau_k - \tau_{k+1} \geq \frac{\frac{b-2}{b-1} b^{-k} a^{k-1}}{a^k b^{-k}} = \frac{(b-2)}{a(b-1)} = \Omega(1);$$

this finishes the proof of (i) and the whole induction.

Using Lemma 5.1,  $\text{LIST}(J) \geq \text{LIST}(J') = \tau_0 = \sum_{k=0}^g (\tau_k - \tau_{k+1}) \geq g \cdot \Omega(1) = \Omega(\log m)$ .

■

## 5.2 The analysis of LPT

LPT is a simple approximation algorithm (no longer online), thus it is interesting to know its performance. We show that the approximation ratio of LPT for the preemptive variant is  $2 - 2/(m + 1)$ . The proof of the upper bound follows the analysis of non-preemptive LPT from [23]. Non-preemptive LPT is there used as an upper bound on NOPT in comparison to OPT. We need to analyze the preemptive version of LPT, which possibly gives a different schedule than the non-preemptive LPT. Examining the proof shows that the properties of the non-preemptive LPT used in [23] are satisfied by the preemptive LPT as well. To improve the ratio from  $2 - 1/m$ , we need to refine the analysis in the case when the number of jobs is equal to the number of machines.

**Theorem 5.7** *The approximation ratio of preemptive LPT is equal to  $2 - 2/(m + 1)$  times (preemptive) OPT.*

**Proof:** We start by giving an input on which this ratio is tight. Consider an instance consisting of  $m$  identical machines and  $m + 1$  identical jobs. Assuming unit jobs and machines, LPT produces a schedule of makespan 2 (no preemptions are used), while the optimal preemptive makespan is  $(m + 1)/m$ . This yields a lower bound of  $2 - 2/(m + 1)$  on the approximation ratio.

Given an arbitrary  $\alpha > 1$ , consider an instance with  $\text{LPT} \geq \alpha \cdot \text{OPT}$  such that the number of jobs  $n$  is minimal. We may assume that  $m \leq n$  as otherwise removing the  $m - n$  slowest machines leads to the same schedules. Let  $L_i$  be the load of the machine  $M_i$  (the sum of processing times of jobs assigned to it) before scheduling the last job  $p_n$ . We have  $p_n + \sum_{i=1}^m L_i = \sum_{j=1}^n p_j \geq np_n$ , since  $p_n$  is the smallest job. From the minimality of the counterexample we know that scheduling  $p_n$  on any machine leads to its completion no earlier than at time  $\alpha \cdot \text{OPT}$ . Thus, for all  $i = 1, \dots, m$ ,

$$L_i + p_n \geq s_i \alpha \cdot \text{OPT}. \quad (3)$$

Summing over all  $i = 1, \dots, m$ , we get

$$(m - 1)p_n + \sum_{j=1}^n p_j = \sum_{i=1}^m (L_i + p_n) \geq \alpha \cdot \text{OPT} \cdot \sum_{i=1}^m s_i \geq \alpha \sum_{j=1}^n p_j$$

and thus  $(m - 1)p_n \geq (\alpha - 1) \sum_{j=1}^n p_j \geq (\alpha - 1)np_n$ . For  $n \geq m + 1$  this implies the required bound  $\alpha \leq 2 - 2/(m + 1)$ .

It remains to handle the case  $n = m$ , i.e., the number of jobs equals the number of machines. For  $m \geq 3$  we prove a stronger version of equation (3), namely we claim that

$$L_1 + L_2 + 2p_n \geq (s_1 + s_2 + s_m)\alpha \cdot \text{OPT}. \quad (4)$$

We can schedule  $p_n$  either at  $M_m$  until time  $L_2/s_2$  and then on  $M_2$ , or at  $M_m$  until time  $L_1/s_1$  and then on  $M_1$ . From the minimality of the counterexample we know that in both

of these schedules,  $p_n$  is completed no earlier than at time  $\alpha \cdot \text{OPT}$ . Thus we have

$$L_2 + p_n \geq s_2 \alpha \cdot \text{OPT} + s_m \frac{L_2}{s_2} \quad (5)$$

$$L_1 + p_n \geq s_1 \alpha \cdot \text{OPT} + s_m \frac{L_1}{s_1}. \quad (6)$$

After time  $L_2/s_2$ , only machine  $M_1$  is busy. Thus by time  $L_2/s_2$  some job is completed, and in particular, this amount of time is sufficient to complete  $p_n$  at  $M_1$ , which gives

$$\frac{L_2}{s_2} \geq \frac{p_n}{s_1}. \quad (7)$$

Adding together (7) multiplied by  $s_m$ , (6) multiplied by  $(1 + s_m/s_1)$ , and (5), and dropping one positive term, we obtain (4).

Now summing (4) with (3) for  $i = 3, \dots, m-1$ , we get

$$(m-2)p_n + \sum_{j=1}^n p_j = \sum_{i=1}^{m-1} (L_i + p_n) \geq \alpha \cdot \text{OPT} \cdot \sum_{i=1}^m s_i \geq \alpha \sum_{j=1}^n p_j$$

and thus  $(m-2)p_n \geq (\alpha-1) \sum_{j=1}^n p_j \geq (\alpha-1)np_n$ . Using  $n = m$ , this implies the required bound  $\alpha \leq 2 - 2/m < 2 - 2/(m+1)$ .

Finally, for  $m = 2$ , the full analysis of LPT given in [19] gives the worst case bound of  $4/3 = 2 - 2/(m+1)$ . (Alternatively, the case of  $m = n = 2$  can be easily analyzed.) ■

## Acknowledgments

We are grateful to Yossi Azar, Leah Epstein, and Gerhard Woeginger for useful discussions and to anonymous referees for helpful comments.

## References

- [1] J. Aspnes, Y. Azar, A. Fiat, S. Plotkin, and O. Waarts. On-line load balancing with applications to machine scheduling and virtual circuit routing. *J. ACM*, 44:486–504, 1997.
- [2] A. Bar-Noy, A. Freund, and J. Naor. New algorithms for related machines with temporary jobs. *J. Sched.*, 3:259–272, 2000.
- [3] P. Berman, M. Charikar, and M. Karpinski. On-line load balancing for related machines. *J. Algorithms*, 35:108–121, 2000.
- [4] B. Chen, A. van Vliet, and G. J. Woeginger. An optimal algorithm for preemptive on-line scheduling. *Oper. Res. Lett.*, 18:127–131, 1995.



- [5] Y. Cho and S. Sahni. Bounds for list schedules on uniform processors. *SIAM J. Comput.*, 9:91–103, 1980.
- [6] T. Cormen, C. Leiserson, and R. Rivest. *Introduction to Algorithms*. McGraw-Hill, New York, NY, 1990.
- [7] G. Dobson. Scheduling independent tasks on uniform processors. *SIAM J. Comput.*, 13:705–716, 1984.
- [8] T. Ebenlendr, W. Jawor, and J. Sgall. Preemptive Online Scheduling: Optimal Algorithms for All Speeds. In *Proc. 14th European Symp. on Algorithms (ESA)*, volume 4168 of *Lecture Notes in Comput. Sci.*, pages 327–339. Springer, 2006.
- [9] T. Ebenlendr and J. Sgall. Optimal and online preemptive scheduling on uniformly related machines. In *Proc. 21st Symp. on Theoretical Aspects of Computer Science (STACS)*, volume 2996 of *Lecture Notes in Comput. Sci.*, pages 199–210. Springer, 2004.
- [10] L. Epstein. Optimal preemptive scheduling on uniform processors with non-decreasing speed ratios. *Oper. Res. Lett.*, 29:93–98, 2001.
- [11] L. Epstein. Bin stretching revisited. *Acta Inform.*, 39:97–117, 2003.
- [12] L. Epstein and L. M. Favrholt. Optimal preemptive semi-online scheduling to minimize makespan on two related machines. *Oper. Res. Lett.*, 30:269–275, 2002.
- [13] L. Epstein, J. Noga, S. S. Seiden, J. Sgall, and G. J. Woeginger. Randomized on-line scheduling for two related machines. *J. Sched.*, 4:71–92, 2001.
- [14] L. Epstein and J. Sgall. A lower bound for on-line scheduling on uniformly related machines. *Oper. Res. Lett.*, 26(1):17–22, 2000.
- [15] D. K. Friesen. Tighter bounds for LPT scheduling on uniform processors. *SIAM J. Comput.*, 16:554–560, 1987.
- [16] T. F. Gonzales and S. Sahni. Preemptive scheduling of uniform processor systems. *J. ACM*, 25:92–101, 1978.
- [17] E. Horwath, E. C. Lam, and R. Sethi. A level algorithm for preemptive scheduling. *J. ACM*, 24:32–43, 1977.
- [18] A. Kovács. New approximation bounds for LPT scheduling. Manuscript, 2007.
- [19] P. Mireault, J. B. Orlin, and R. V. Vohra. A parametric worst case analysis of the LPT heuristic for two uniform machines. *Oper. Res.*, 45:116–125, 1997.

- [20] H. Shachnai, T. Tamir, and G. J. Woeginger. Minimizing makespan and preemption costs on a system of uniform machines. In *Proc. 10th European Symp. on Algorithms (ESA)*, volume 2461 of *Lecture Notes in Comput. Sci.*, pages 859–871. Springer, 2002.
- [21] D. B. Shmoys, J. Wein, and D. P. Williamson. Scheduling parallel machines on-line. *SIAM J. Comput.*, 24:1313–1331, 1995.
- [22] J. Wen and D. Du. Preemptive on-line scheduling for two uniform processors. *Oper. Res. Lett.*, 23:113–116, 1998.
- [23] G. J. Woeginger. A comment on scheduling on uniform machines under chain-type precedence constraints. *Oper. Res. Lett.*, 26:107–109, 2000.